



2011 - 2012 U.S Price/ Parts List-120 Volt

Effective Date: September 1, 2011

Proprietary/Confidential

Part #	Description	U.S. Price
8930	SRP Scratch Removal System – 120 Volt Includes the 8931 Finer System and the 8932 Polisher System	\$3,810.99
8931	SRP Finer, Add-on to Polisher System – 120 Volt Includes the following: 8916 SRP Finer, 120V 8908 Accessories Kit for Finer 1-8905 Slurry Container 1-8476 Tri-Supply Tube Assembly 1-8477 Power Cord 8914 Expendable Materials Kit for Finer 5-8276 Bags of Fining Compound 50-8230 Fining Discs 6-Orbiter Pads (P/N 8277 is a 6 pack for reordering) 3 –Shroud Seals (P/N 9036 is a 6 pack of shroud seals)	\$1,905.49
8932	SRP Polisher System- 120 Volt Includes the following: 8917 SRP Polisher, 120V 8903 Accessories Kit for Polisher 1-8122 Cover Opener 1-8174 Ground Fault Interrupter 1-8476 Tri-Supply Tube Assembly 1-8477 Power Cord 1-8904 Water Supply Tank 1-8905 Slurry Container 8909 Expendable Materials Kit for Polisher 5-9040 Bags of Polishing Compound 3-Shroud Seals (P/N 8278 is a box of 6 shroud seals) 1-8911 Domed Polishing Wheel 1-9030 Solid Flat Wheel 8145 Maintenance Kit for Polisher and Finer 1-1720 Water Based Lubricant, 2oz. Jar 1-8005 Drive Belt 1-8018 Quill Shaft Seal 1-8310 3/8" Open End Wrench 1-8335 5/32" T-Handled Hex Key Wrench 1-8336 3/16" T-Handled Hex Key Wrench 1- 8375 Input Tube Retainer Clip 1- 9186 1/2" Open End Wrench 1-8728 6cc White Syringe 1-8769 Grease, Super Lube, 1.75 oz tube 1-8872 Drive Shaft Seal 1-8938 Height Adjustment Gauge 1-8983 Brass Coupling Insert 1-8997 File, 8" half round 1-8998 File Handle, Wood 0375 SRP Operations Manual 0704 SRP Training Video 8131 Inspection Mirror	\$2,780.99



Part #	Description	U.S. Price
0375	SRP Operations Manual	\$20.59
0704	SRP Training Video	\$20.59
0698	Scratch Removal Training Fee	\$310.00/day
8005	Drive Belt	\$12.45
8018	Quill Shaft Seal	\$8.50
8028	Retraction Spring-Polisher	\$8.50
8033	Submersible Slurry Pump	\$181.27
8040	Shroud Collar Clamp	\$19.10
8049	Tubing for Slurry Container	\$1.12/in
8054	Retraction Spring-Finer	\$7.92
8082	Strain Relief for Power Cord	\$3.39
8098	Tee Fitting (1/8" NPTF Male)	\$3.39
8102	Extension Spring	\$2.26
8131	Inspection Mirror w/ suction cup	\$28.31
8145	Maintenance Kit	\$181.27
8147	Nylon Washer for Input Tube	\$2.26
8156	3/8" Rubber Grommet for Vacuum Relief Valve	\$2.26
8167	Motor Pulley	\$14.15
8174	Ground Fault Interrupter and Outlet Box	\$181.27
8202	Hex Head Screw for shroud clamp/motor	\$3.96
8204	Spring Pin Set Screw	\$
8206	Drive Cover Screw	\$1.01
8215	Motor Assembly, 120 Volt	\$249.21
8230	Finer Disc Package (50 Pack)	\$45.27
8239	Switch Bracket	\$20.96
8277	Orbiter Pads (6-pack)	\$11.32
8278	Shroud Seals for Polisher (6-pack)	\$20.58
8283	Vacuum Relief Valve	\$4.48
8289	Drive Shaft Assembly-Finer	\$113.29
8296	Calibrated Switch, 120 Volt	\$33.98
8303	Hex Wrench Set	\$19.21
8310	3/8" Open End Wrench	\$3.97
8316	Foam Inserts for Edge Finishing Wheels (ea)	\$1.01
8322	Glass Polishing Compound, 8oz bottle	\$20.66
8333	3/32 Hex Key Wrench 2"	\$4.52
8334	1/8 Hex Key Wrench T-Type	\$4.52
8335	5/32 Hex Key Wrench T-Type	\$4.52
8336	3/16 Hex Key Wrench T-Type	\$4.52
8347	Jam Nut for Polisher	\$7.36
8355	Shroud Clamp Spacer	\$2.26
8375	Input Tube Retainer Clip	\$7.92
8381	Adjustment Screw for Retainer Lever	\$7.35
8385	Tubing, Vacuum Bleed Vent	\$4.48
8411	Elbow for Lubricator Assembly	\$1.80
8416	Water Lubricator Assembly for Shroud	\$8.94
8423	Ammeter, 0-15 Amps, 120 Volt	\$56.64
8428	Quick Coupling Insert	\$12.34
8433	Pivot Pin	\$9.05



Part #	Description	U.S. Price
8434	Pin for Retraction Spring	\$16.98
8435	Pivot Pin Retainer	\$1.99
8440	Valve Assembly for Lubrication Systems, Plastic	\$9.05
8457	Coupling, Male (for water lubrication assembly)	\$4.52
8458	Coupling, Female (for water lubrication assembly)	\$4.52
8461	Quick Coupling (white, female)	\$11.32
8464	O-Ring (for seal between shroud and quill housing)	\$2.26
8466	Wire Assembly (from Ammeter to On Switch) 7 1/2" wire	\$4.52
8467	Wire Assembly (from Ammeter to Motor) 5" wire	\$3.46
8476	Tri-Supply Tube Assembly for Polisher or Finer	\$113.29
	Includes the following:	
	8410 Tri Supply Tube	
	8428 Black Quick Coupling	
	8461 White Quick Coupling	
	8440 Valve Assembly for Water Lubrication	
8477	Power Cord, 120 Volt (Between GFI and Polisher/Finer)	\$39.64
8482	Shroud Foot and Rivet Replacement Set	\$23.44
	Includes:	
	8-Shroud Feet	
	8-Short Snap Rivets, Black	
	4-Long Snap Rivets, White	
8483	Power Cord, 120 Volt (Attached to Polisher/Finer)	\$30.02
8487	Quick Coupling Insert (white)	\$5.65
8499	Shroud Assembly- Replacement for Polisher or Finer	\$141.61
	Includes:	
	Polisher Shroud with Shroud Feet	
	Vacuum Relief Valve & Grommet	
	Quick Coupling Insert, Brass (install for Finer)	
	Plug Fitting (Remove for Finer)	
	White Coupling Insert (Male)	
8568	Vacuum Gauge	\$29.45
8648	Strain Relief for Pump Power Cord	\$2.82
8660	O-Ring for Quick Coupling Inserts	\$1.12
8728	Syringe, 6cc (white plastic)	\$4.07
8769	Grease, Super Lube, 3oz. Tube	\$6.48
8825	Drive Shaft Assembly- Polisher	\$147.28
8830	Input Tube and Fitting Assembly	\$45.31
8839	Edge Shroud for Polisher	\$131.42
8841	Input Tube (tube only)	\$30.58
8857	Aspirator Assembly (Includes PN 8858 Adapter)	\$56.64
8872	Drive Shaft Seal	\$8.50
8899	Pre-Fining Compound- For use with the Finer	\$122.42
8904	Supply Tank Assembly for Water Lubrication System	\$47.58
8905	Slurry Container Assembly, 120 Volt	\$373.88
	Complete Bucket Assembly Including:	
	8907 Slurry Container	8992 Metering Valve with Mounting Kit
	8032 Slurry Container Cover	8568 Vacuum Gauge
	8033 Submersible Pump, 120V	8857 Aspirator Assembly
8907	Slurry Container (Bucket Only)	\$9.05
8909	Expendable Materials Kit for Polisher	\$220.94



Part #	Description	U.S. Price
8911	Domed Polishing Wheel-Synthetic Felt	\$50.93
8912	Flat Polishing Wheel (Donut wheel)	\$38.47
8919	Polisher Chuck	\$27.26
8921	Drive Cover Assembly-120 Volt Polisher	\$108.42
8938	Height Adjustment Gauge for Shroud	\$20.59
8939	Edge Finishing Wheel Package-Synthetic Felt	\$52.07
	Includes:	
	2-8925 Edge Finishing Wheels	
	12-Foam Inserts	
8983	Quick Coupling Insert, Brass	\$8.26
8992	Vacuum Adjustment Valve Assembly	\$24.92
8996	Spring Clamp for Drive Shaft Seal (replaces PN 8247)	\$3.39
8997	File, 8" Half Round	\$19.25
8998	File Handle, Wood	\$5.65
9028	Flexible Shroud	\$146.04
9030	Flat Solid Pad	\$43.04
9033	Dual Orbitor Assembly	\$135.91
9036	Finer Shroud Seals (Box of 6)	\$28.31
9040	Polishing Compound (PC2000) (5 bags)	\$281.85
9050	Push Button Seal Lubricator Kit	\$30.54
9061	Quill Assembly Replacement Kit	\$225.47
	Includes:	
	1-8305 Retaining Ring	
	1-8897 Key, Square 1/16	
	1-8928 Quill Assembly	
	1-9039 Spacer	
	1-9044 Pulley Assembly	
9065	Ultra Fine Compound (5 Micron)- For use with the Finer	\$122.42
9163	Glass Glide, 8oz-Use with Water Supply Tank	\$16.98
9164	PVP 2000 Polishing Compound Super Pack, 44lbs	\$
9165	Graffiti Removal Kit	\$566.49
	Includes:	
	1-8905 Slurry Container	
	1-8899 Pre-Fining Compound, 5 Pk	
	1-9163 Glass Glide, 8oz	
	1-8476 Tri-Tube Assembly	
9186	1/2" Open End Wrench	\$4.52

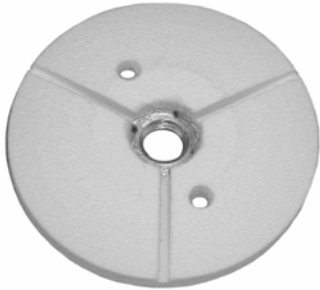


SRP Surface Wizard™ Kit & Consumable Items

9100	Surface Wizard™ Surface Restoration Kit	\$823.99
1856	SRP Hard Water Stain Remover/cs (24/14oz jars)	\$162.88
1857	SRP Hard Water Stain Remover (ea)	\$8.49
7100	NOVUS Plastic Polish Kit - #1, 2 &3	\$19.50
8316	Foam Inserts for Polishing Pad	\$1.01
8322	SRP Edge Finishing Compound, 8oz	\$22.68
9105	Impregnated Polishing Pad, 3" domed pad	\$
9111	Extra Fine Fining Discs-5 Pack (Orange)	\$10.29
9112	Fine Fining Discs- 5 Pack (Blue)	\$10.29
9113	Medium Fining Discs- 5 Pack (Rose)	\$10.29
9114	Coarse Fining Discs- 5 Pack (Green)	\$10.29
9115	Conversion Pads- 2 Pack	\$10.29
9116	Spray Bottle	\$2.83
9124	White Scotch Brite Scrubbing Pad, pad only	\$2.26
9125	Yellow Buffing Pad/wool, yellow (for plastic restoration)	\$9.05
9126	Hard Water Scrubber Pad w/ hook & loop conversion face	\$11.33
9132	Applicator Buffing Pad/wool, white (for plastic restoration)	\$9.05
9133	Yellow Foam Pad (for Hard Water Stains)	\$8.23
9135	Chuck for Plastic and Hard Water Pads	\$33.99
9136	Replacement Motor Brushes (not included with kit)	\$16.47
9146	Small Wheel Accessory Kit (not included in Kit)	\$62.26



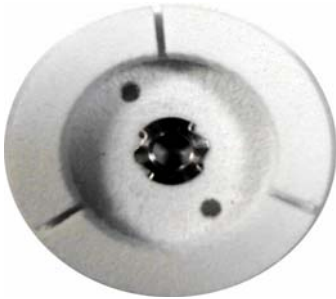
Glass Restoration Consumables-Polisher



P/N 8911- Domed Pad
\$50.93



P/N-9030 Solid Flat Pad
\$43.04



P/N 8912- Flat Pad
\$38.47



P/N- 9040- PC 2000 Polishing Compound (5pk)
\$281.85



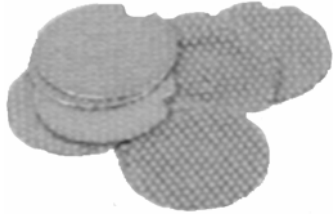
P/N 9163- Glass Glide, Shroud Seal Lubricant
Use in Water Supply Tank
\$16.98



P/N 1802- SRP Foaming Glass Cleaner

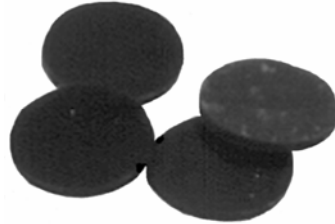


Glass Restoration Consumables- Finer



P/N 8230- Fining Disks (50pk)

\$45.27



P/N 8277- Orbiter Pads (6pk)

\$11.32



P/N 8899- Pre Fining Compound (5pk)
For Heavy Scratch and Graffiti Removal

\$122.42



P/N 9065- Ultra Fine Fining Compound (5pk)
Use for Light Fining Scratches & Between
Prefining & Polishing Steps.

\$122.42

Surface Wizard™

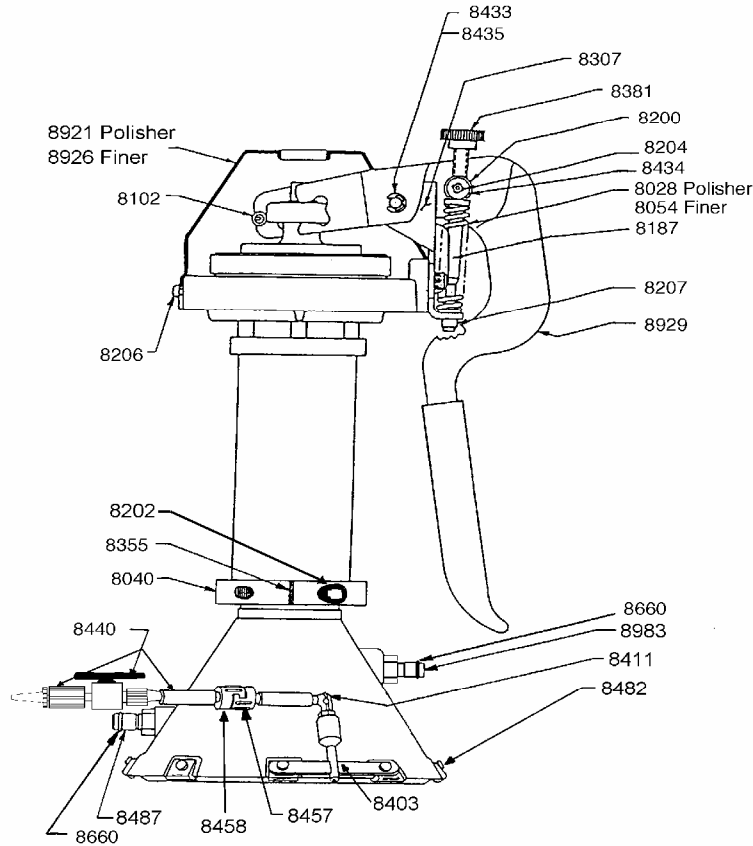


P/N 9100- Surface Wizard™. Use for edge work where the large machine will not reach.
Easily removes light scratches and hard water stains on glass.
Restores plastics to like new condition.

\$823.99



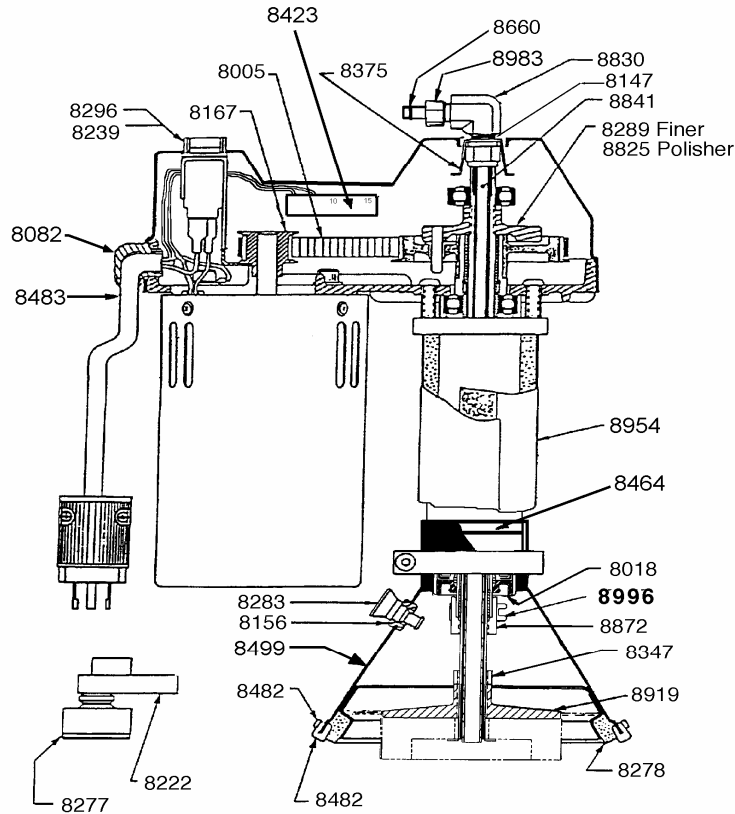
**Polisher Assembly Diagram
Exterior View, 120 Volt**



\$8.50	8028 Retraction Spring - Polisher	\$1.80	8411 Elbow for Lubricator Assembly
\$19.10	8040 Shroud Collar Clamp	\$9.05	8433 Pivot Pin
\$7.92	8054 Retraction Spring - Finer	\$16.98	8434 Pin for Retraction Spring
\$2.26	8102 Extension Spring	\$1.99	8435 Pivot Pin Retainer
\$\$\$??	8187 Spring Pin for Retraction Handle	\$9.05	8440 Valve Assembly for Water Lub.
\$1.25	8200 Spring Pin for Retainer	\$4.52	8457 Coupling, Male for Water Lub.
\$3.96	8202 Screw for Shroud Clamp	\$4.52	8458 Coupling, Female for Water Lub.
\$2.03	8204 Spring Pin Set Screw	\$5.65	8482 Shroud Foot Replacement Set
\$1.01	8206 Drive Cover Screw	\$1.12	8487 Quick Coupling Insert, White
\$2.15	8207 Spring Mandrel Bushing	\$108.42	8660 O-ring for Quick Coupling Insert
\$	8307 Pivot Bracket	\$	8921 Drive Cover Assembly - Polisher
\$2.26	8355 Shroud Clamp Spacer	\$8.26	8926 Drive Cover - Finer
\$7.35	8381 Adjustment Screw for Retraction Lever		8929 Retraction Lever
\$3.70	8403 Lubricator Seal		8983 Quick Coupling Insert, Brass



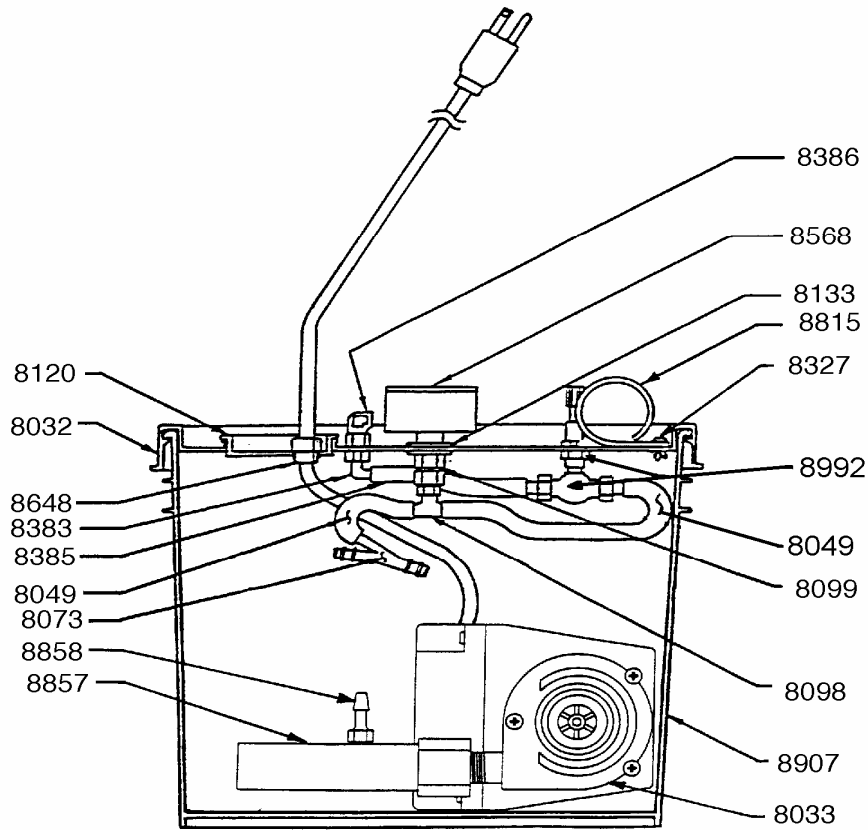
Polisher Assembly Diagram Interior View, 120 Volt



- | | | | |
|-----------------|---|-----------------|---|
| \$12.45 | 8005 Drive Belt | \$56.64 | 8423 Ammeter, 0-15 amps, 120 volt |
| \$8.50 | 8018 Quill Shaft Seal | \$2.26 | 8464 O-ring for Quill Shaft |
| \$3.39 | 8082 Strain Relief for Power Cord | \$23.44 | 8482 Shroud Foot & Rivet Replacement Set |
| \$2.26 | 8147 Nylon Washer for Input Tube | \$30.02 | 8483 Power Cord, 120 volt |
| \$2.26 | 8156 Rubber Grommet for Vacuum Valve | \$141.61 | 8499 Shroud, Replacement for Finer or Polisher |
| \$14.15 | 8167 Motor Pulley | \$1.12 | 8660 O-ring for Quick Coupling Insert |
| \$20.96 | 8239 Switch Bracket | \$147.28 | 8825 Drive Shaft Assembly - Polisher |
| \$30.58 | 8278 Shroud Seal - (6-Pack) | \$45.31 | 8830 Input Tube and Fitting Assembly |
| \$4.48 | 8283 Vacuum Relief Valve | \$30.58 | 8841 Input Tube Replacement, Tube Only |
| \$113.29 | 8289 Drive Shaft Assembly - Finer | \$8.50 | 8872 Drive Shaft Seal |
| \$33.98 | 8296 Calibrated Switch - 120 Volt | \$27.26 | 8919 Chuck for Polisher |
| \$7.36 | 8347 Jam Nut | | 8954 Handle Grip Cover and Pad |
| \$7.92 | 8375 Retainer Clip for Input Tube | \$8.26 | 8983 Quick Coupling Insert, Brass |
| | | \$3.39 | 8996 Spring Clamp for Drive Shaft Seal |



Slurry Container Assembly Diagram
120 Volt



- | | | | |
|----------------------|---|----------------|---|
| \$11.89 | 8032 Slurry Container Cover | \$4.48 | 8385 Tube, Vacuum Bleed Vent |
| \$181.27 | 8033 Submersible Slurry Pump, 120 volt | \$3.39 | 8386 Vent Elbow |
| \$1.12 / inch | 8049 Tubing for Slurry Container, per inch | \$29.45 | 8568 Vacuum Gauge |
| \$3.70 | 8073 Y-fitting | \$2.82 | 8648 Strain Relief for Pump Power Cord |
| \$3.39 | 8098 T-fitting | \$.62 | 8815 Clip for Supply Tube |
| \$ | 8099 Brass Coupling | \$56.64 | 8857 Aspirator Assembly |
| \$11.20 | 8120 Cap for Slurry Cover | \$1.88 | 8858 Male Adapter for Aspirator |
| \$1.25 | 8133 Washer for Vacuum Gauge | \$9.05 | 8907 Slurry Container (Bucket only) |
| \$.62 | 8327 Push Rivet for Clips | \$24.92 | 8992 Vacuum Adjustment Valve Assembly |
| \$1.88 | 8383 Elbow, Black | | |



Terms of Sale

Visa, Mastercard, Discover or American Express, check, money order or Net 30 days with approved credit. Prices are quoted in U.S. dollars and subject to change without notice. A 15% restocking fee applies to all returned equipment.

Shipping Terms

F.O.B. plant, Minneapolis, MN. UPS charges are prepaid and added to the invoice, common carrier freight charges are collect at destination.

Delivery Time:

All orders take 5-7 business days for delivery if shipped UPS Ground. All orders are shipped UPS Ground unless otherwise indicated. Allow 48 hours from order date for order to ship.

Rush Order Policy: For rush orders, a \$20 handling charge will be added to the invoice. Rush Delivery is a "Next Day" or "overnight" package or any shipment that must arrive by a date before standard ground delivery will accommodate. Rush orders may not ship the day you order due to time differences, pick up times or the size of the order. Even rush orders may not ship until the following day.

Return Policy:

No returns are accepted without prior authorization. Please call and obtain a return authorization number from SRP Glass Restoration and label the return goods accordingly. **There is a 15% re-stocking fee on all returned equipment. Absolutely no returns accepted after 30 days from order date.**

Office Hours

Monday - Friday, 8 a.m. - 4:30 p.m. Central Standard Time.

Sales and Technical Support

Phone: 800-328-0042 Fax: 952-946-0435



Warranty:

The system warranty cover defects in manufacturing or workmanship for a period thirty (30) days from the date of shipment. The warranty does not include defects caused by abuse, misuse or modification of the equipment. For warranty consideration parts and/or systems must be sent in for an evaluation. Warranty does not cover normal wear and tear. In no event shall SRP be liable for any incidental, special, or consequential damages including loss of profits. This statement superseeds all previously published expressed warranties.

Abuse or misuse of the equipment includes, but is not limited to:

- Dropping the machine
- Not following recommended maintenance schedules
- Overheating of the slurry or the polishing/fining machines
- Handing the equipment by the power cords
- Neglecting to follow proper useage recommendations
- Modification of the equipment and/or parts
- Exceeding recommended amperage settings



Repair Service Policies and Procedures:

Repairs must have an RA Number included with a description of the problem. To obtain a RA number, contact a SRP service representative at 800-328-0042
Contact us Monday-Friday 8:00-4:30pm CST

Shipping Items to SRP

Be sure to include your RA# on the outside of the package and any special shipping requests. Also include any known failure symptoms and/or special operating conditions as this will help identify the root cause of the problem. Package the item and ship pre-paid to:

SRP Glass Restoration
Attn: Repair Department
12800 Hwy 13 South Suite 500
Savage, MN 55378
RA#

Considerations:

An item being returned to SRP must be properly packaged to ensure the item is not damaged during transit. SRP is not responsible for any damage that may occur during shipping or during use prior to us receiving the item.

Shipping Items from SRP

SRP ships all packages via UPS ground unless otherwise requested by our customers
Shipping charges are added to the final purchase/repair cost.

Items are not insured by SRP at the time of shipment. If you require insurance in excess of the standard courier coverage then you must request this prior to shipment

For rush orders, orders shipping before \$20 will be added to the invoice.

Equipment Repairs

Standard turnaround time 2-3 business days. Rush repairs are an additional \$50 and are added on to the final repair cost.

Repair Warranty

SRP warranties replaced parts and workmanship for a period of thirty (30) days from the date of repair. All warranty claims must be sent in for evaluation with the original proof of purchase invoice. In the unlikely event an item repaired by SRP should fail due to a warranty condition, simply send the item back to SRP for an immediate evaluation. Tampering and failures due to an act of God, improper operation, mishandling, misapplication or modification will void the SRP repair and initial warranty. Obtain an RA number prior to shipping a warranty claim to SRP.